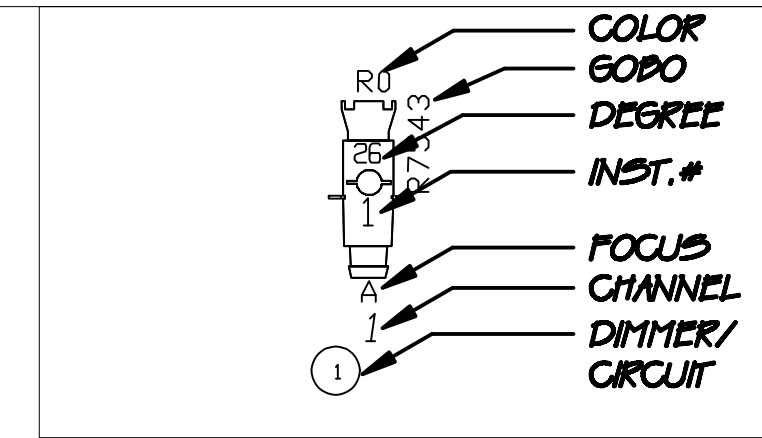
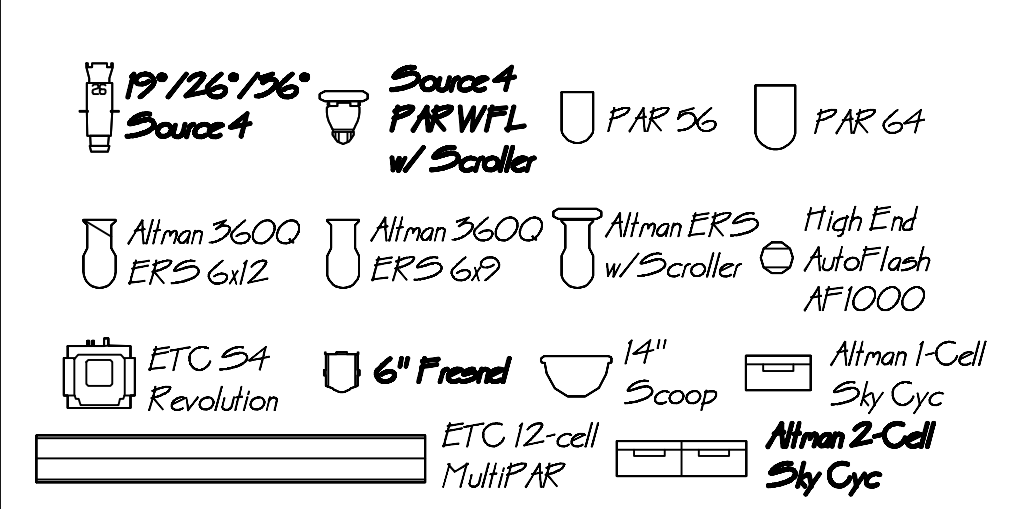


NOTES:
 -SAFETY ALL FIXTURES.
 -USE LEMAITRE RADIANCE HAZER. POSITION TBD.
 -CONSOLE TO BE ETC ION
 -GOBOS/COLOR MAY BE CHANGED TO MATCH ON HAND SUPPLIES. SEE LD.
 -ALL R360 TO BE SUBSTITUTED WITH R361
 -R25 IN GROUNDROW TO BE SUBSTITUTED W/ R325.
 -ALL GROUNDROW FRAMES TO HAVE R114 W/COLOR.

NOTES CONT:
 -ALL DIMMERS W/ ELECTRONIC DEVICES MUST BE SET TO 'NON DIM,' SWITCHED MODE.
 -CATWALK AND STAGE UNIVERSES TO BE DMX 2, USING DMX SPLITTER AT ION, SEE LD.
 -SOURCE 4 REVOLUTIONS; FRONT BAY = ROTATING WHEEL, BACK BAY = SHUTTER MODULE.
 -DMX DEVICES ON SL 3RD ELECTRIC TO BE CIRCUITED TO 110V AC WALL OUTLETS.

KEY:



RC Dance and Gymnastics, LLC		SHEET No
Spring 2009 Recital		1
Light Plot - Groundplan		OF: 1
DIRECTOR: Monica Rynes	TECH DIRECTOR: N/A	REV: 5
DESIGNER: Cole W. Muth	DRAWN BY: Cole W. Muth	
CREATED ON: 4/10/2009	Scale: 1/4" = 10'	Last Modified: 4/18/09